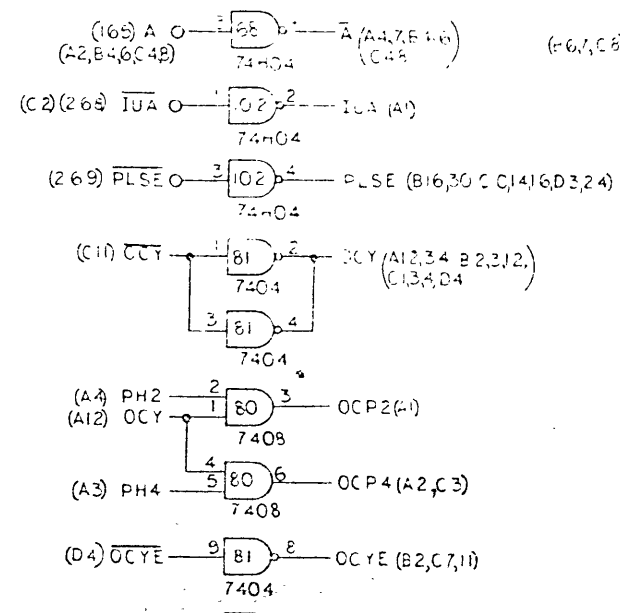
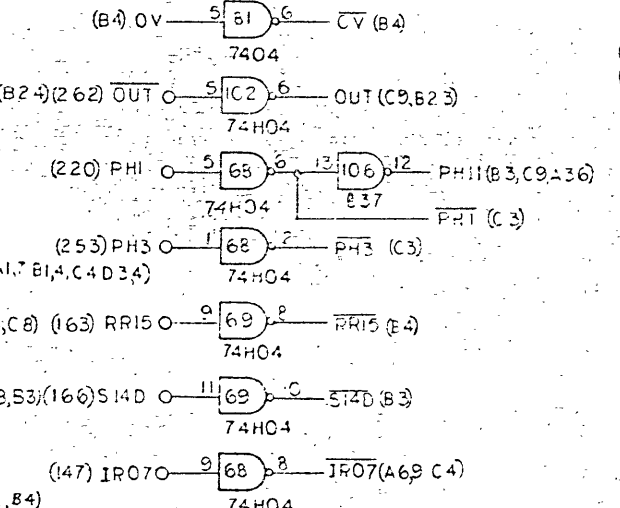


REVISIONS		
SY#	DESCRIPTION	DATE/APPRAVAL

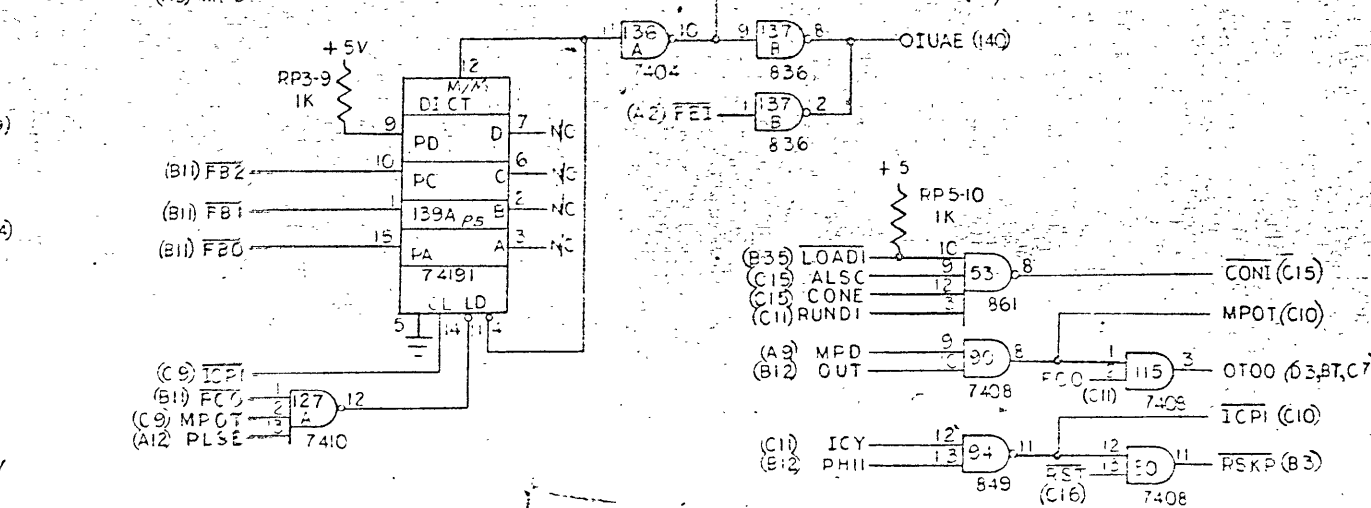
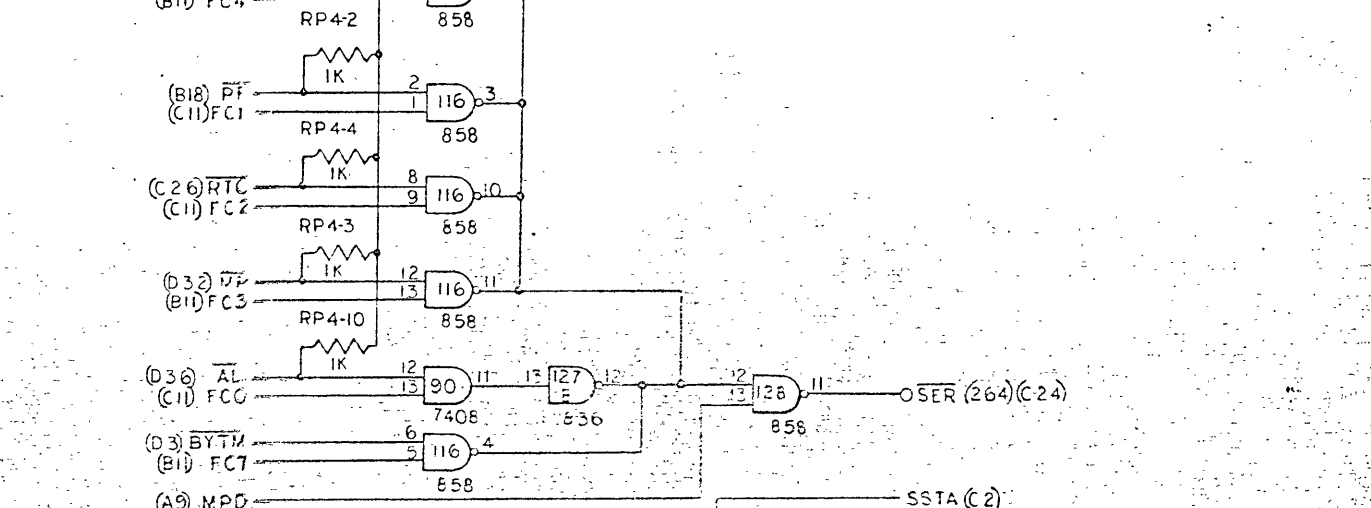
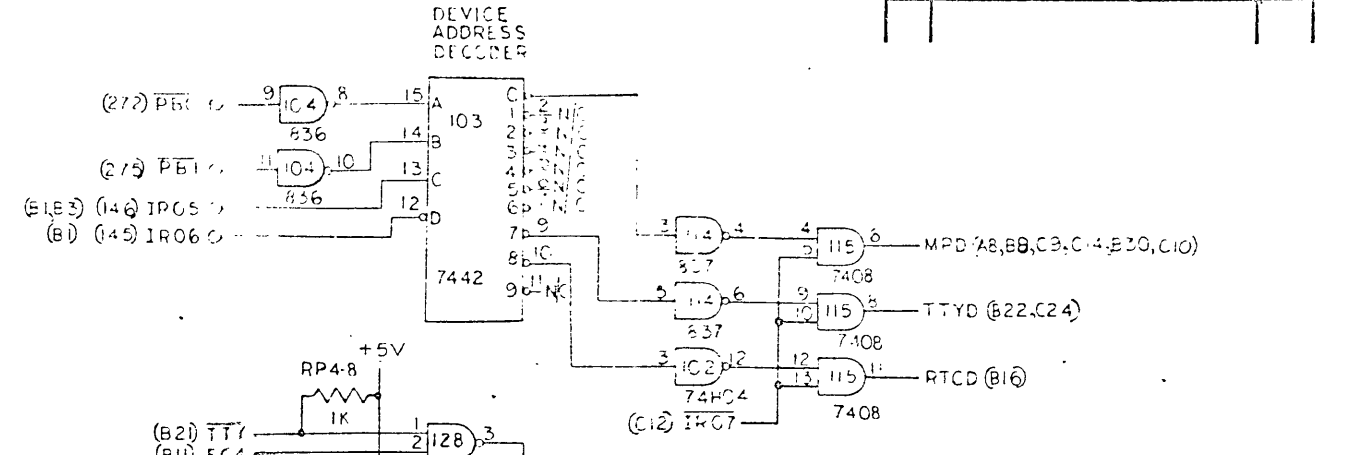
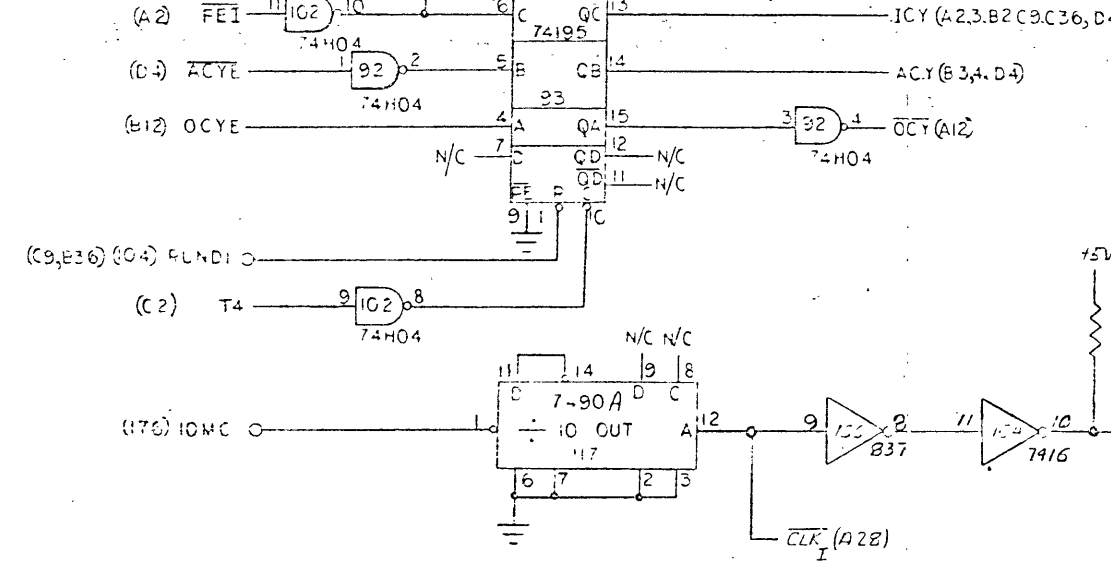
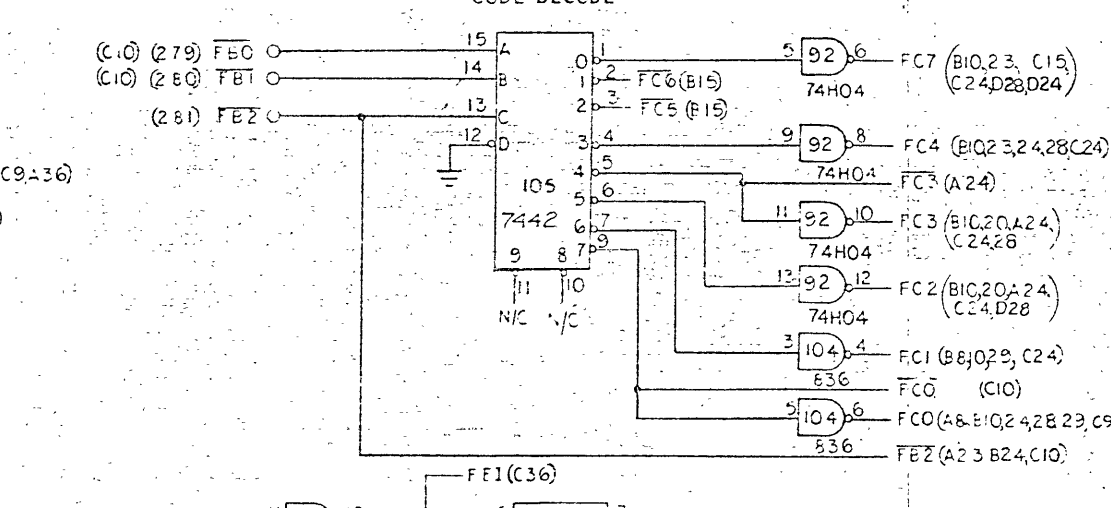
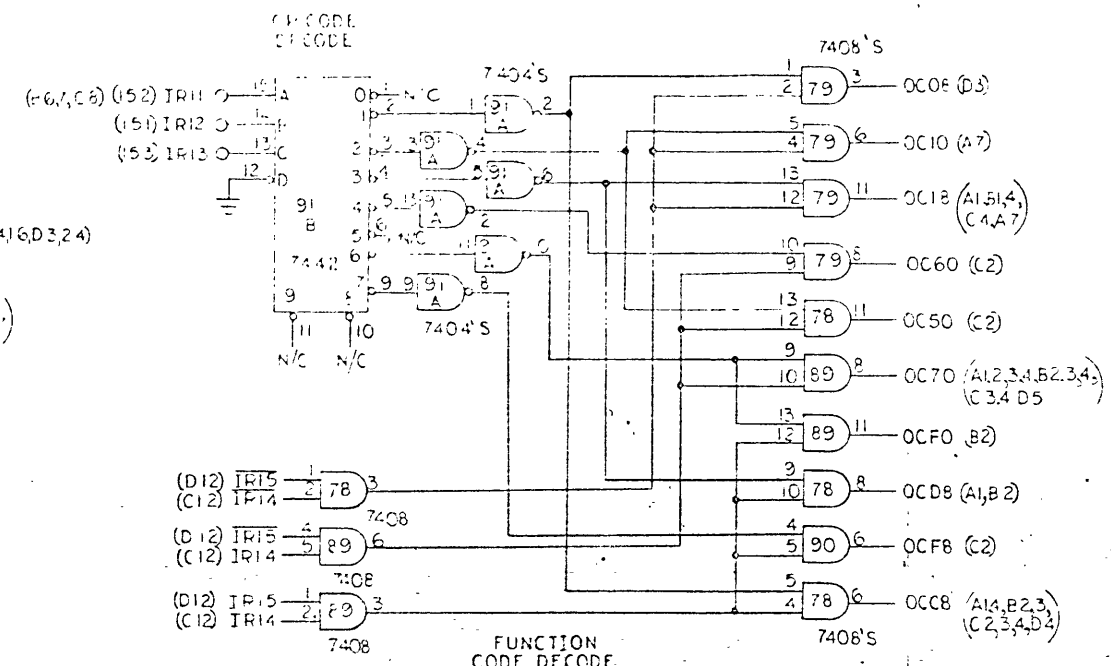
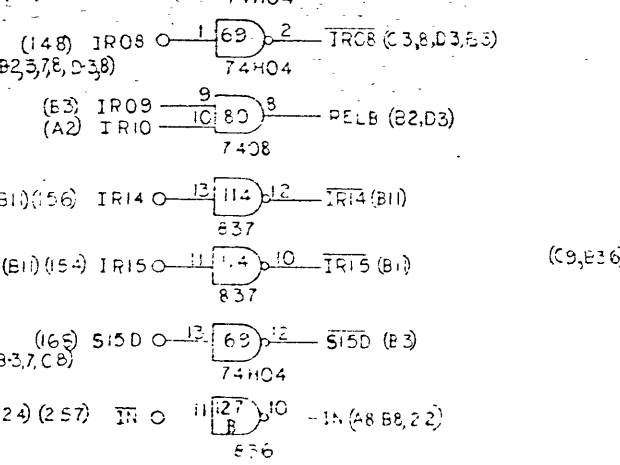
A



B



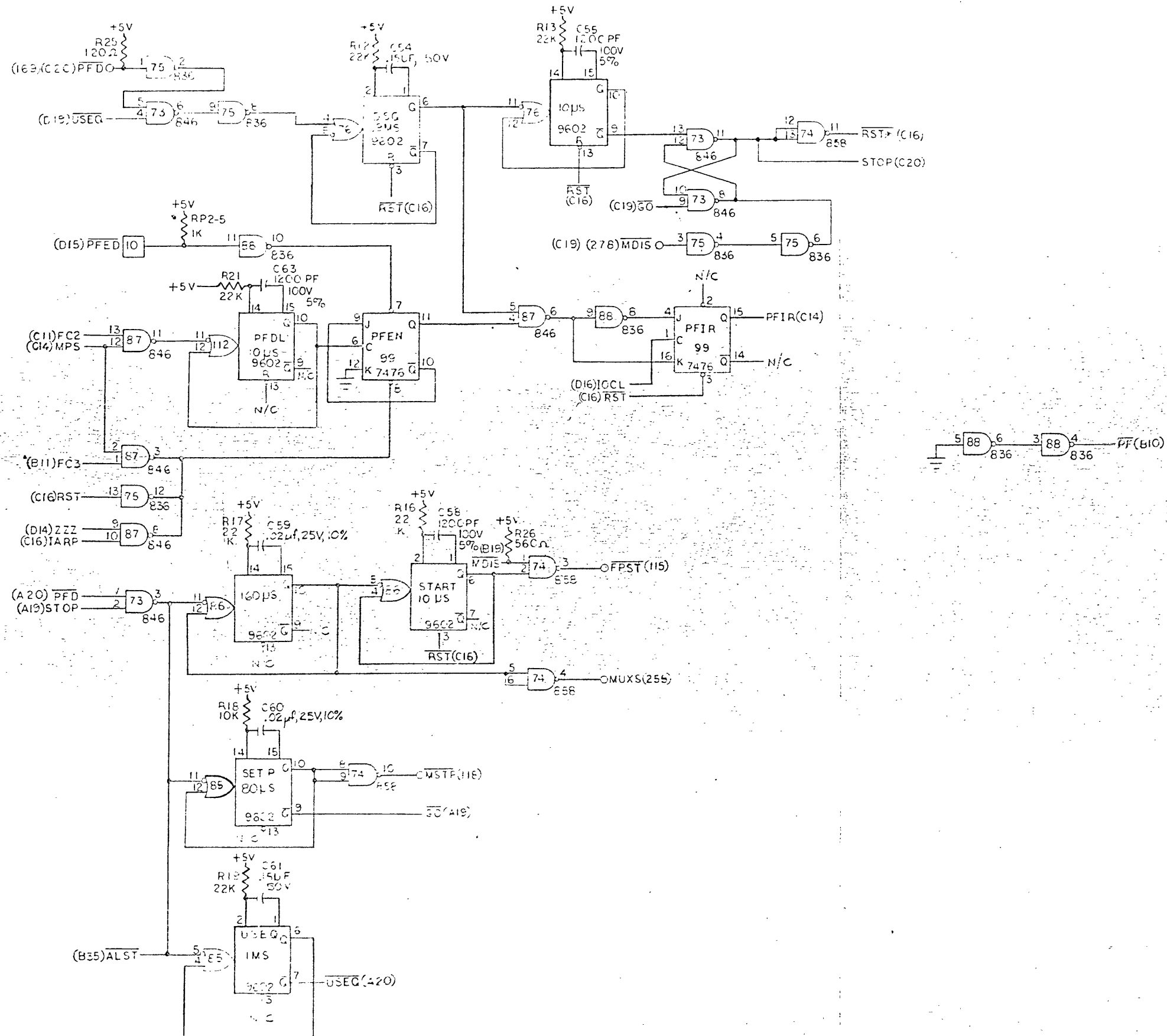
C



OP CODE DECODE, DEVICE ADD, FUNC. CODE

SIZE	00-52304-XX	REV	Y25
SCALE		SHT.	3 OF 3

REVISIONS			
SYN	DESCRIPTION	DATE	APPROVAL



CONDITIONS FOR FIRING 9602

1. PIN 11/5 HIGH

12/4

2. PIN 12/4 LOW

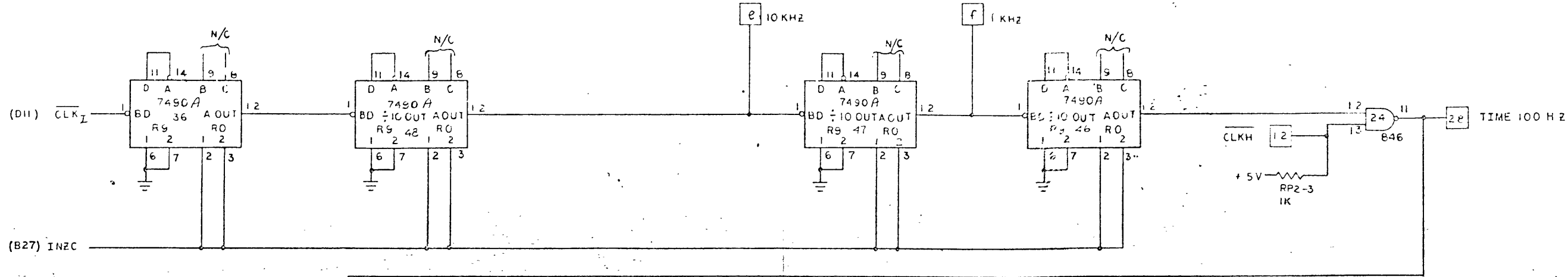
11/5

POWER FAIL

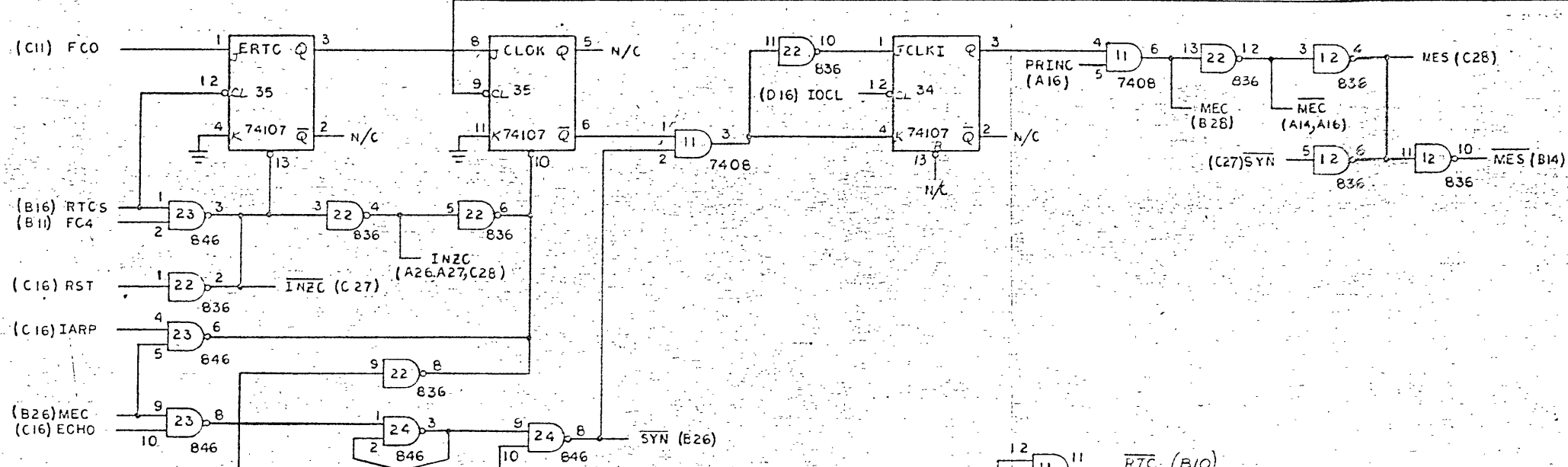
SIZE D	CO-52304-XX	REV Y3
SCALE =	SHT. 5 OF 3	

SYN	DESCRIPTION	DATE	INITIALS

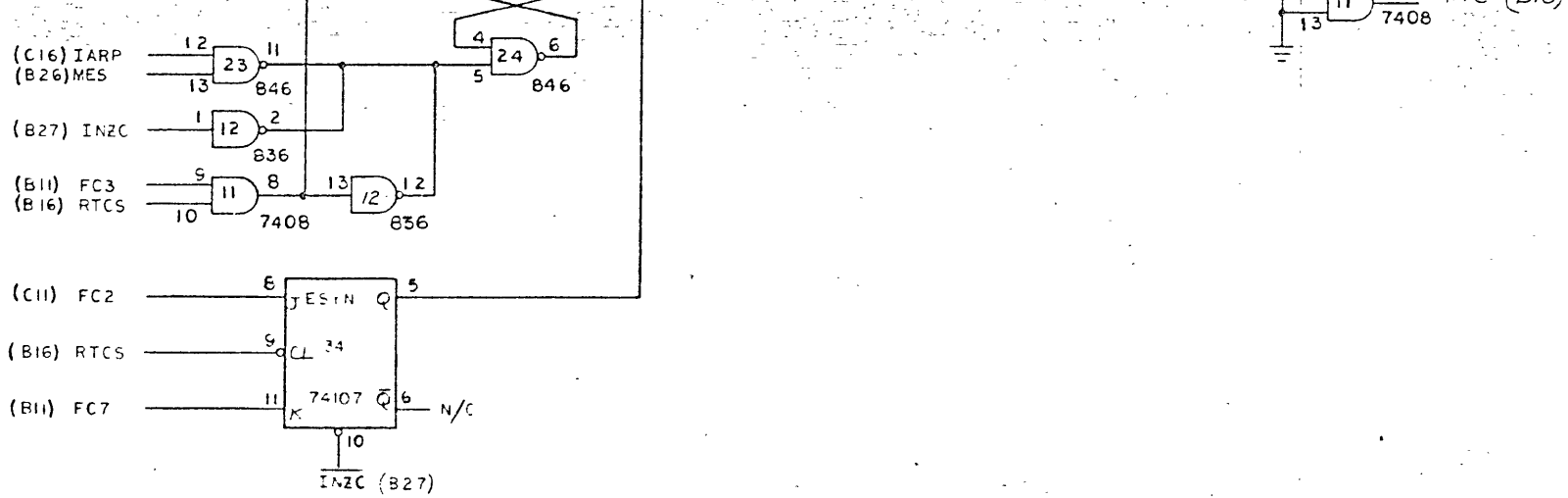
A



B



C

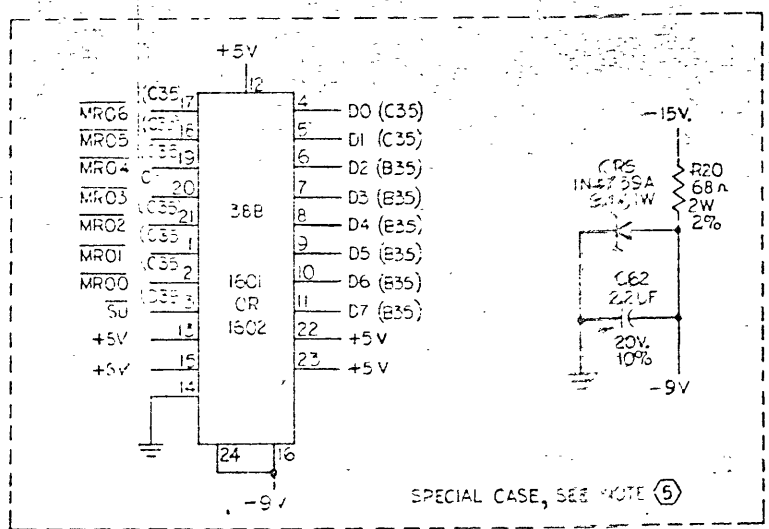
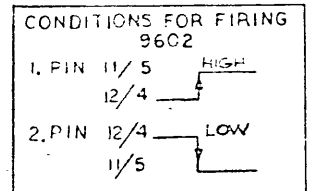
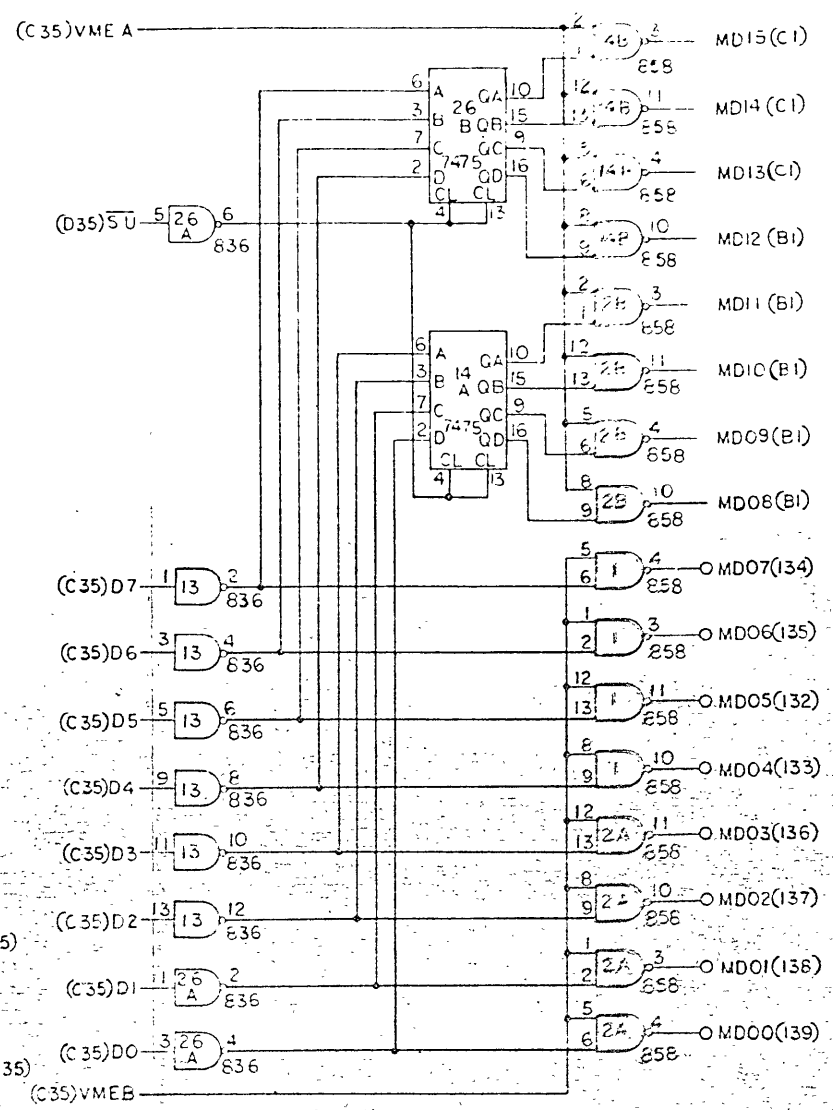
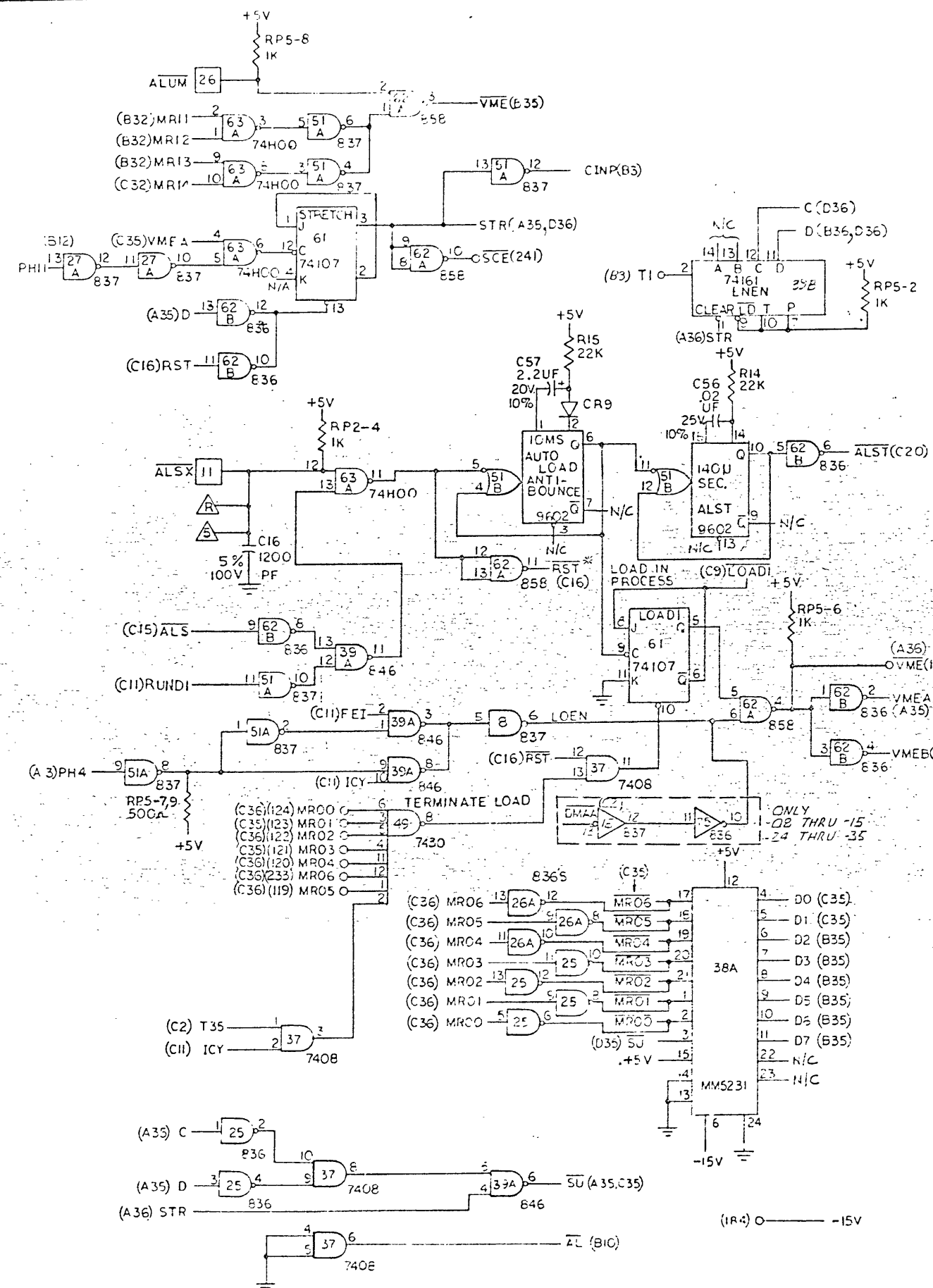


D

REAL-TIME CLOCK

SIZE	D	00-52304-XX	REV	Y
SCALE			SHT. 7 OF 9	

REV	DESCRIPTION	DATE	APPROVAL



AUTOLOAD

SIZE	REV
D	00-52304-XX
SCALE =	SHT. 3 OF 3